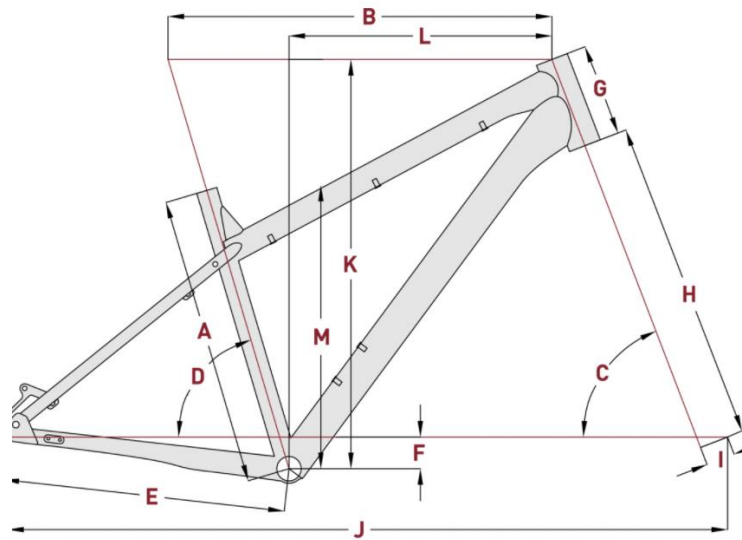


WHISTLER 3.7



GEOMETRY

	XS	S	M	L	XL
SIZE	36	40	44	48	52
SIZE (MM)	360	420	460	500	540
HANDLEBAR WIDTH	700	700	720	720	720
STEM LENGTH (MM)	90	90	90	90	90
CRANKARM LENGTH	170	170	175	175	175
A SEAT TUBE LENGTH (MM)	350	350	350	350	350
B EFFECTIVE TOP TUBE (MM)	550	570	583	603	619
C HEAD TUBE ANGLE (°)	69	70	70	70	70
D EFFECTIVE SEAT TUBE ANGLE (°)	73,5	74	74	74	74
E CHAINSTAY LENGTH (MM)	430	447	447	447	447
F BOTTOM BRACKET DROP (MM)	48	62	62	62	62
G HEAD TUBE LENGTH (MM)	110	100	110	130	150
H FORK CONSTRUCTION HEIGHT (MM)	487	501	501	501	501
I PRE-RAKED FORK (MM)	44	44	44	44	44
J WHEELBASE LENGTH (MM)	1054	1081	1095	1117	1133
K STACK (MM)	590	612	622	640	660
L REACH (MM)	375	395	405	420	430